

(3) COAX SWITCH

SD MS3X8 DUAL LNB SWITCH

SITUATION

DBS signals from a dual universal LNB need to be switched to feed multiple DBS receivers.

SOLUTION

Model **SD MS3X8** receives the 13 volt and 17 volt polarities as well as off-air signals and switches them upon command to up to (8) satellite receivers. LNB power is provided by the receivers or with an optional **PS201200A** power supply connected to PWR IN.

RELATED CONSIDERATIONS

Model **SD MS3X8** has an antenna input for diplexing off-air signals with the satellite signals.

FEATURES

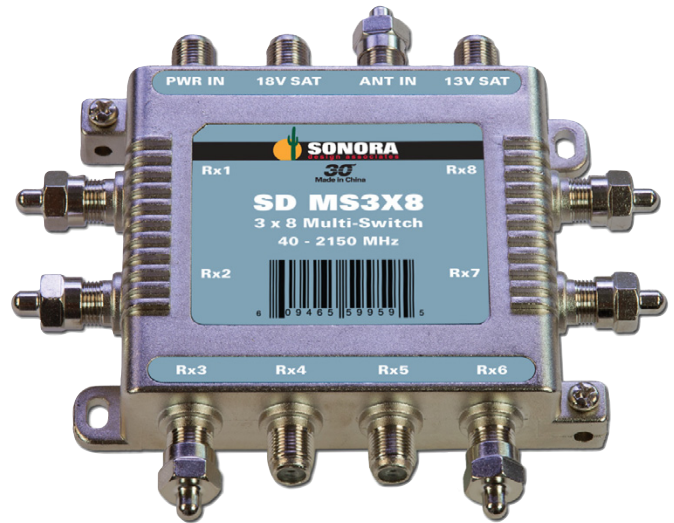
- *DBS bandwidth* 950 to 2150 MHz
- *Off-Air bandwidth* 54 to 806 MHz
- *LNB Power* 13 V / 17 V
- *Indoor / Outdoor case* die cast aluminum
- *Multiple power options* receiver or external DC

APPLICATION NOTES

A dual LNB dish can serve one receiver per LNB. Model **SD MS3X8** polarity locks the LNBs and switches the inputs to (8) receivers. Off air signals are diplexed onto each output.

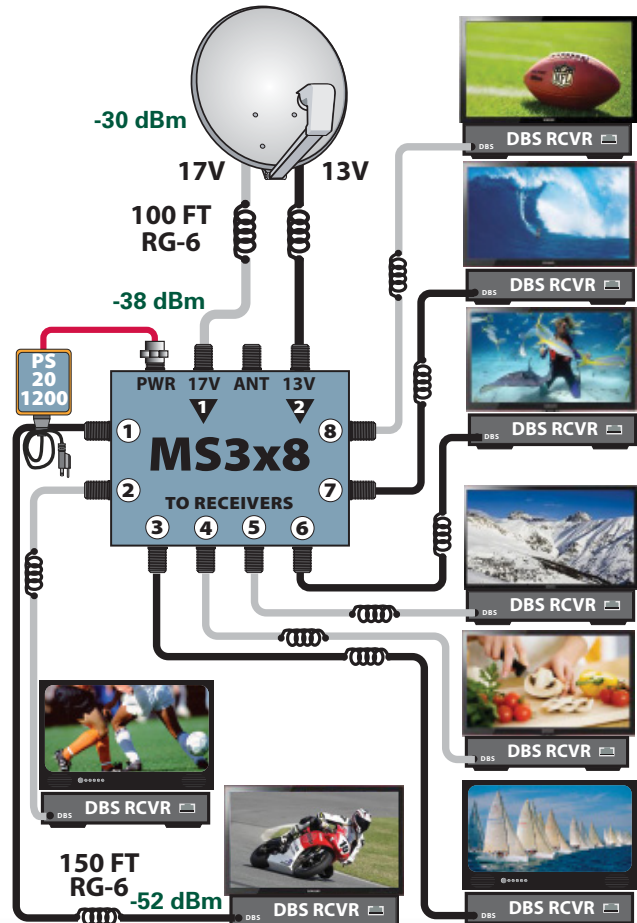
Signal levels are annotated @ 1750 MHz for a dish 100 feet of RG-6 from the amplifier. Model **SD MS3X8** amplifies the satellite signals for a zero loss to receivers.

Model **PS201200A** (sold separately) can be used to power the LNBs when receivers to dish distances exceed 100 feet.



DESCRIPTION

Dual Polarity DBS multi-switch with 8 outputs. LNB powering provided by receivers or optional power supply.



DUAL LNB SWITCH

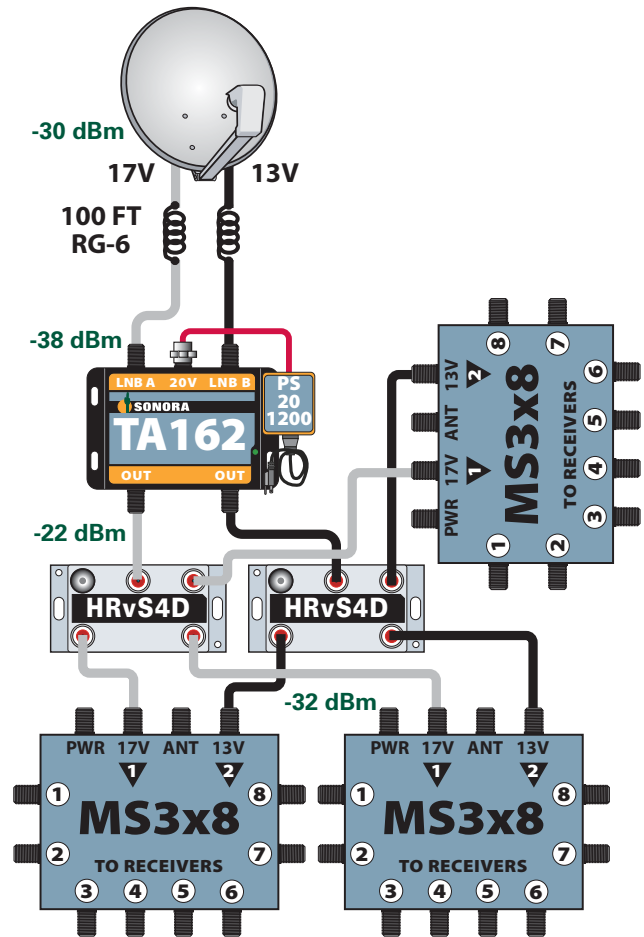
SD MS2x8 DUAL LNB SWITCH

Model **SD TA162-T** is used as a polarity locker and pre-amplifier in larger MDU distribution systems. Placed 100 feet from the dish, the amplifier output is -22 dBm.

The -22 dBm pre-amplifier output is split with model **HRvS4D** splitters to feed model **SD MS3x8** multi-switches. Up to 32 receivers can be served with the amplified split signal.

Model **SD MS3x8** switches have zero loss. The -32 dBm input to the switches allows receivers to be located up to 250 feet from the switches.

Should more switches be required, use model **SD TA282-T** and **HRvS8D** splitters to feed up to (8) **SD MS3x8** switches



SPECIFICATIONS

Specifications.....Typical QC Limit

Gain

54 MHz	-11 dB	-12 dB
806 MHz.....	-12 dB	-13 dB
950 MHz.....	3 dB	0 dB
1750 MHz	0 dB	-2 dB
2150 MHz	-1 dB	-3 dB

Maximum Input (12 equal transponders)..... -22 dBm

Two Tone IM3

@ -20 dBm Output / tone -45 dBc

Pass band Flatness

Any 24 MHz band	0.1 dB	0.2 dB
Input Return Loss	14 dB	11 dB
Output Return Loss	13 dB	11 dB
Noise Figure (@ 2150 MHz)	8 dB	10 dB

Power Specifications

Voltage	20 VDC
Current Switch only	95 mA
Power Adaptor (optional).....	20 V,
LNB Voltage @ Input 1	18 VDC
LNB Voltage @ Input 2	13 VDC

Environmental Specifications

Operating Environment:.....Indoor / Outdoor (Lock box)
Ambient Temperature

Mechanical Specifications

Dimensions

Weight

Master Carton QTY

Master Carton Size

Master Carton Weight.....