

APPLICATION

SITUATION

You need to add TV outlets for local broadcast or cable TV High definition signals. Data modem service is also needed to each TV outlet.

SOLUTION

Models CA14R-T and CA24R-T boost broadcast or cable TV signals while passing cable modem signals. Model CA14R provides 14 dB gain and the CA24R provides 24 dB gain.

RELATED CONSIDERATIONS

Model LA141xR amplifier should be used when both CATV or local broadcast signals share the coax with 950 to 3500 MHz DBS signals.

Use optional model HRFPI with the power supply to line power the amplifiers via the output connector. DC does NOT pass to input.

FEATURES

- *Off-Air Compatibility:* ATSC (digital), NTSC (analog)
- *CATV Compatibility:* 110 Channel & Data Modem
- *Wide Frequency:* CATV, VHF & UHF
- *Flexible powering:* Coax or Power Transformer
- *Indoor / Outdoor.* sealed die-cast aluminum case

APPLICATION NOTES

Models CA24R-T and CA14R-T increase the CATV or off-air signal level while allowing cable modem low frequency signals to return to the signal provider.

Model CA14R-T increases the typical 10 dBmV CATV signal to compensate for adding an 8-way splitter to an existing installation.

The output level after the amplifier and 8-way splitter is now stronger than the signal arriving from the cable company.

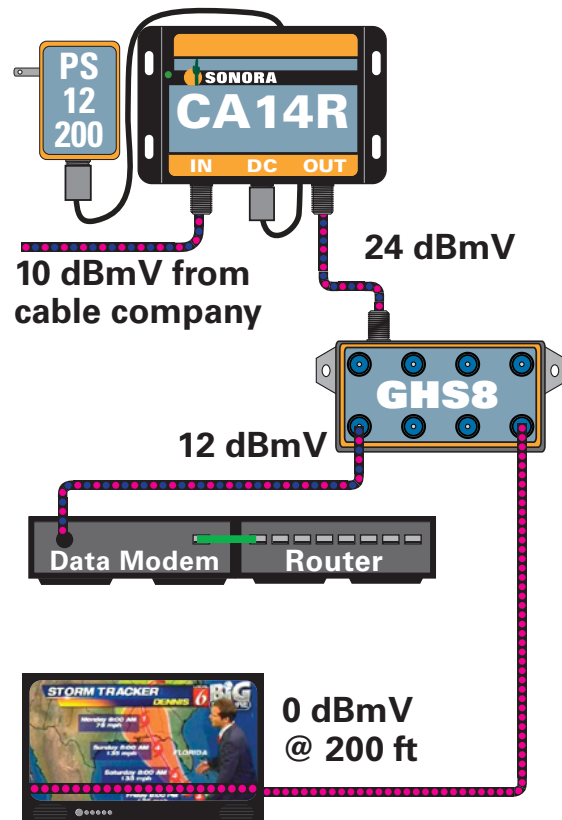
AMPLIFIERS

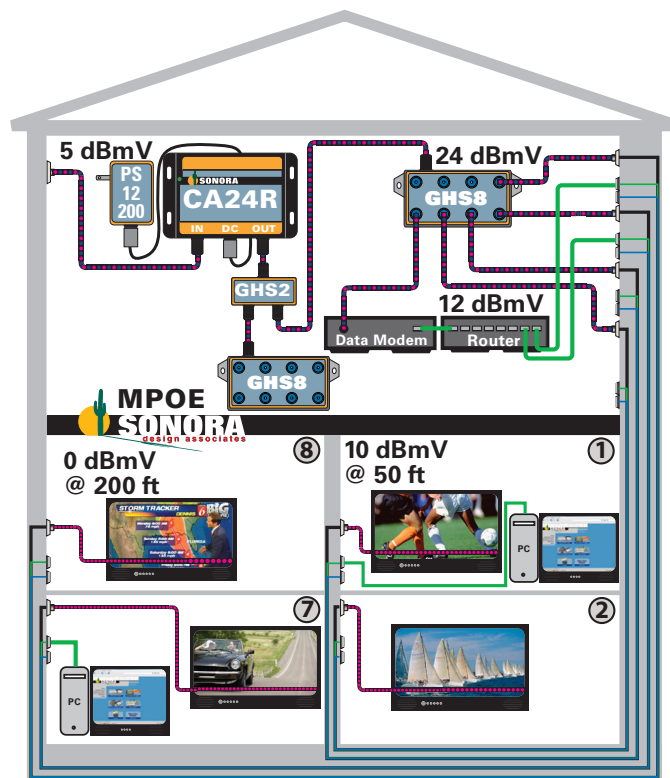
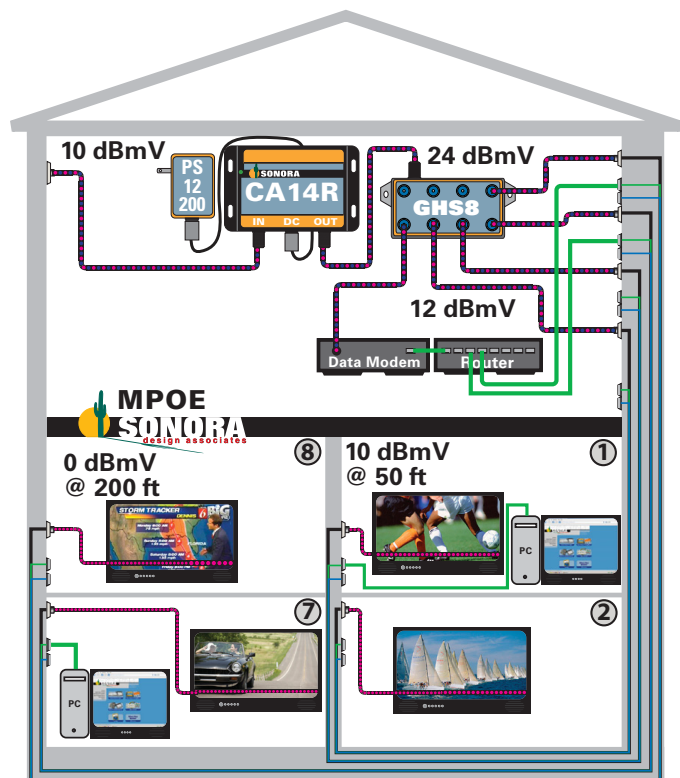
CA14R-T & CA24R-T



DESCRIPTION

Indoor / Outdoor 50 to 1000 MHz amplifiers with passive 15 to 40 MHz sub-band return.





Cable TV providers deliver a signal level sufficient to drive up to (4) televisions. Many homes have more than (4) outlets and often have rooms several hundred feet from the cable entry point.

Models CA14R-T and CA24R-T increase the forward signal level by 14 dB and 24 dB respectively. Cable modems may also be used in some homes. The amplifiers pass the return band cable modem signals.

SPECIFICATIONS

Specifications..... TypicalQC Limit

Gain

15 to 40 MHz.....-2 dB..... -3 dB

CA14R 54 to 1000 MHz.....15 dB..... 12 dB

CA24R 54 to 1000 MHz.....25 dB..... 22 dB

Maximum OutputCTB -60 dB CSO -60 dB

8 channels.....+45 dBmV

16 channels+42 dBmV

Pass band Flatness

Any 6 MHz band0.1 dB..... 0.2 dB

54 to 1000 MHz ±1 dB..... ± 2 dB

Return Loss

Input Return Loss15 dB..... 11 dB

Output Return Loss15 dB..... 11 dB

Noise Figure..... 4 dB.....5 dB

Power Specifications

Voltage 12 to 24 VDC

Current 150 mA

Mechanical Specifications

Dimensions.....4" x 3.5" x 7/8"

Weight 1 lb (0.45 kg)

Master Carton (15 units) 18" x 12" x 6"

Master Carton Weight.....17 lb. (7.7 kg)

Environmental Specifications

Operating Environment:.....Indoor/Outdoor

Ambient Temperature -30° C to +70° C