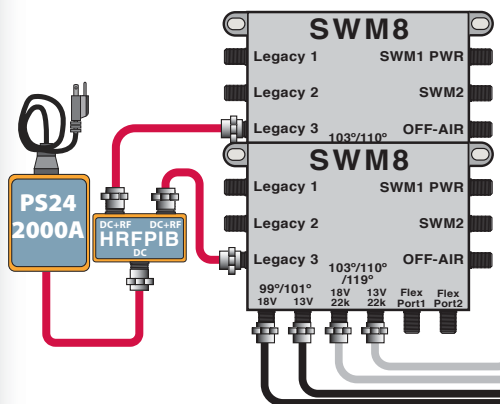


Model **HRPIR242B** powers (2) **SWM8** switches via legacy port 3. The total current draw at 24 volts is less than 800 mA.



HRPIR242B 24 V DC Power Supply & Inserter

- 2.08 Amp (50 Watt)
- UL Approved **PS242000A**
- Interchangeable AC Cord
- F-Connector for DC Input
- Overload Protection
- DC Power Inserter **HRFPiB** for (2) Outputs

Parameter	UNIT	PS242000A
Rated Input Voltage	Vac	100 to 240
Operating Input Range	Vac	90 to 264
Rated Input Frequency	Hz	47 to 63
Rated Input Current	A	1.2 max
Maximum Input Power	W	58.6
AC Input Cable	Feet	6
AC Input connector		Mini 2 pin
Nominal DC Output Voltage	Vdc	24
Rated load current	A	2.08 max
Minimum load current	A	0.05A
Ripple & Noise	mVp-p	240
DC Output Cable	Feet	6
DC Power Connector Type	Each	(1) F Female
DC Adaptor included	Each	(1) F71 Male to Male
Short Circuit Protection		Yes, Multi fuse
Dimensions L x W x H	mm	110 x 53 x 37
Environmental Requirements		Indoor use only
Ambient Temperature range	°C	0 to +45
Humidity		Shall survive 90% relative humidity over operating temperature
Safety Ratings Agencies	USA Canada Europe Japan Taiwan China Britain	UL60950-1 CSA C22.2 NO.950 TUV/VDE-EN60950-1 J60950(H14)/J55001(H14) CNS13438 GB4943-2001 EN60950-1:2000
Parameter	Unit	HRFPiB
DC Input Connector	Each	(1) F Female
DC Input Current	A	3 max
RF Input + DC Output	Each	(1) F Female
RF Output + DC Output	Each	(1) F Female
RF Input to RF Output	MHz	2 to 2400 MHz
RF Input to RF Output	dB	1 dB max
RF Input Return Loss	dB	> 14 dB
RF Output Return Loss	dB	>14 dB